

Steam Pressure Reducing Station Model PRS

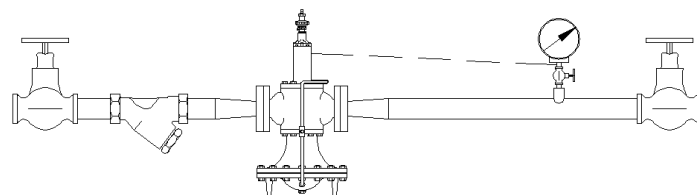
The Model PRS, Steam Pressure Reducing Station is a manufactured ready-to-install unit for steam system management. The pre-assembled Steam Pressure Reducing Stations are individually sized for an end-user's specific needs. For parallel or series stations, manufactured manifolds are available to meet site specific requirements. Safety Relief Valves may be added to manifold arrangements, as well as single units. Inlet and Outlet piping and valving is sized to meet Best-Engineering-Practices. The unique Pressure Reducing Stations eliminate the unnecessary hassles of field engineering and assembly which decreases site installation time and reduce site installation cost. Each Unit is custom engineered and designed to meet specific system requirements. All systems are fabricated and welded per ASME Section IX Code and Standards, and are Hydrostatically tested prior to shipment.

CONDITIONS OF OPERATION

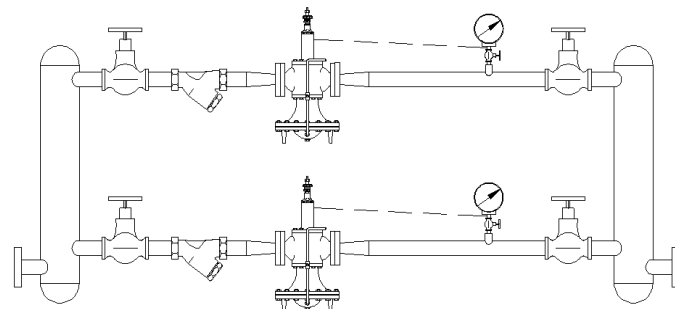
Max. Allowable Pressure / Temperature:	200 psig / 450 °F
---	----------------------

STANDARD CONSTRUCTION

- All welded construction, per ASME Section IX
- Cast Iron Gate Valves
- 20 mesh Y-strainer, Cast Iron
- Schedule 40 Piping
- Hydrostatically Tested
- High Temperature Enamel Coating



Series / Single Unit



Parallel Unit w/ Manufactured Manifolds

Legend:

- A. Gate Valves
- B. Y-strainer
- C. Pilot-operated Control Valve

PACKAGE OPTIONS

- All threaded construction
- All Stainless Steel construction
- Schedule 80 Piping
- Thermodynamic Steam Trap
- Inverted Bucket Steam Trap
- Thermostatic Steam Trap
- Stainless Steel Ball Valves
- Manifolds for multiple users
- Horizontal or Vertical Manifolds on Parallel Units
- Pressure Gauge(s)
- Safety Relief Valves
- Fabricated Steel Wall-mount Frame
- Fabricated Steel Floor-mount Frame

Regardless of system size, temperature, pressure, fluid medium, or available floor space, **EnviroSep** can service all specialized needs.